

Remote I/O Manager, RHIO10



Features

- Supports 10Base-T Ethernet network connection
- 12 optically isolated digital inputs (0 ~ 24V)
- 10 digital relay outputs, Max. 220V level
- 4 channel 10-bit resolution analog inputs for basic data acquisition
- Basic programmable logic output functions such as AND, OR, NOT and Delay
- Supports both wall and DIN-Rail style mounting
- Management using easy-to-use Windows utility
- Windows DLL support for the easier integration with user program

Windows Utility, Rhio manager



The Rhio10, Remote I/O Manager is simple and easy-to-use Ethernet Data Acquisition System that communicates with PCs and other computers over Ethernet and Internet networks. They utilize the open systems environment of Ethernet to acquire data from any number of remote locations.

The Rhio10 provides 12 optically isolated digital inputs (0 ~ 24V), 10 digital relay outputs of max. 220V level, 4 channel 10-bit resolution analog inputs for basic data acquisition. The digital output operation can be set up with basic programmable logic such as AND, OR, NOT and delay function. The analog inputs are configured either as alarm detection using threshold mechanism or general data acquisition. The input system operates in event-driven mode that allows the unit to send data based on change-of-state or alarm conditions. All the inputs and outputs are protected from damage under power on/off conditions.

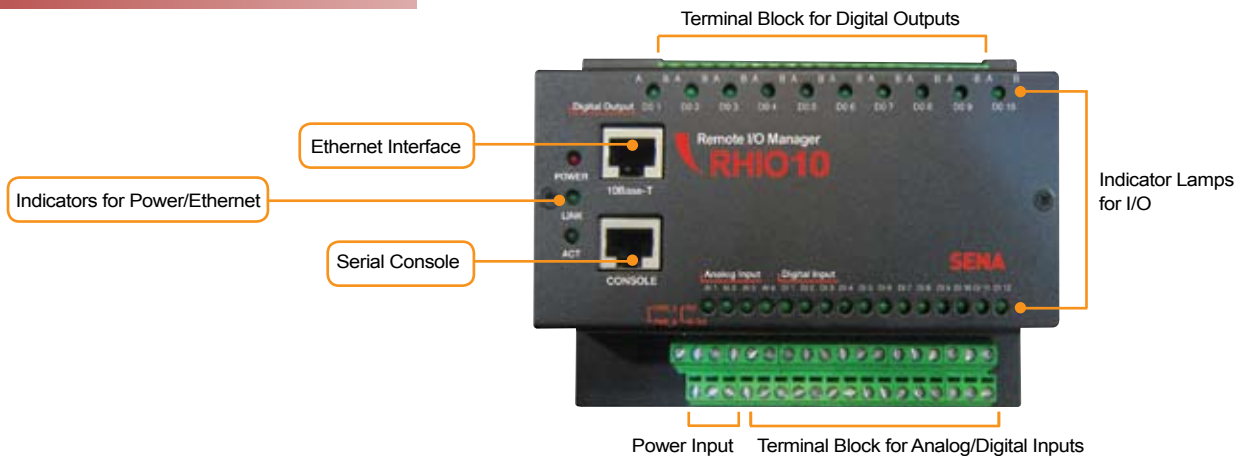
Users may configure the Rhio10 by using easy-to-use Windows-based utility software or by using telnet or serial console. The Rhio Manager, Windows utility also enables users to perform the basic I/O control and monitoring for test purpose. Users may easily write their own application program to communicate with Rhio10 with the help of free MFC libraries for Windows.

Typical application areas include :

- Remote Data Acquisition Systems
- Remote Data Acquisition
- Remote Distributed I/O Systems
- Automated Machine Monitoring
- Industrial Instrumentation
- Discrete Control
- Distributed Data Acquisition System

Remote I/O Manager, RHIO10

Panel Layout



Specifications

Network Interface

- 10 Base-T Ethernet with RJ45 connector
- Supports static and dynamic IP address

Digital Input

- Number of channels : 12
- Input type : Voltage
- Input circuitry : Optically isolated photo-coupler
- Input range : 0V ~ ±24V
OFF : 0V ~ ±1.2V
ON : ±3.3V ~ ±24V
- Sampling rate : 20ms
- Isolation voltage : 5KV

Digital Output

- Number of channels : 10
- Output type : Relay
- Rated load : 3A/240VAC
- Insulation resistance : 1000Min(DC500V)
- Electrical life expectancy : 100,000 operations
- Isolation voltage (coil and contact) : 4KV
- Reaction within 10ms

Analog Input

- Number of channels : 4
- Effective resolution : 10-bit
- Input type : Voltage, Direct coupling
- Input range : 0V ~ Aref (Analog reference voltage, 2~5V)
- Sampling rate : 1000 samples/sec

Protocols

- ARP, IP/ICMP, TCP
- telnet, DHCP client

Management

- Rhio Manager Windows Utility, Serial Console or Telnet

Software Support

- Windows MFC DLL library
- I/O configuration, I/O status monitoring/control

Diagnostic LED

- Power, Link, Act
- Digital Output, 1~10
- Digital Input, 1~12
- Analog Input, 1~4

Power

- 9V ~ 48VDC, Max. 5W

Environmental

- Operating temperature : 0°C to 50°C
- Storage temperature : -20°C to 66°C
- Humidity : 90% Non-condensing

Physical properties

- Dimension (L x W x H) 137 x 111 x 58 (mm)
5.4 x 4.4 x 2.3 (in.)
- Weight : 730g

Certification

- FCC, CE, MIC

Warranty

- 5-year limited warranty

Ordering Information

Rhio10

Remote Ethernet I/O Manager

Includes

- Console Cable
- RJ-45 - DB9 Female Straight Cable Adapter
- DIN-rail Mount Bracket
- CD-ROM



For more information, please visit us at <http://www.sena.com>

U.S. / Canada / South America

Tel : +1 (408) 573-7425 Fax : +1 (408) 907-3738
Toll Free (US/Canada) : 1-866-88-US-SENA (1-866-887-7362)

EU / Africa

Tel : +33 (0) 1 53 53 16 29 Fax : +33 (0) 1 70 24 70 90

Asia / Pacific

Tel : +82-2-571-8283 Fax : +82-2-573-7710

Contact us via E-mail

General Information : info@sena.com
Sales & Distribution : sales@sena.com
Technical Support : support@sena.com

SENA
www.sena.com